

**R553D**

**Description**

The R553D preassembled manifold consists of:

- 1 delivery manifold with front balancing lockshield valves equipped with mechanical memory.
- 1 return manifold with interception valves with manual handwheel, suitable for electro-thermal command.
- Metal brackets.
- Set of adhesive labels for identifying the various circuits.
- 1 spanner R558.

**Versions and product code**

Product code	Manifold connections x outputs	N° of outputs	Flush-mounting cabinet *	
			Series	Product code
R553ZY002	1" x base 18	2	R500-2 Depth 85÷130 mm	R500Y221
R553ZY003		3		R500Y221
R553ZY004		4		R500Y222
R553ZY005		5		R500Y222
R553ZY006		6		R500Y222
R553ZY007		7		R500Y222
R553ZY008		8		R500Y223
R553ZY009		9		R500Y223
R553ZY010		10		R500Y223
R553ZY011		11		R500Y224
R553ZY012		12		R500Y224
R553ZY022		1 1/4" x base 18		2
R553ZY023	3		R500Y221	
R553ZY024	4		R500Y222	
R553ZY025	5		R500Y222	
R553ZY026	6		R500Y222	
R553ZY027	7		R500Y222	
R553ZY028	8		R500Y223	
R553ZY029	9		R500Y223	
R553ZY030	10		R500Y223	
R553ZY031	11		R500Y224	
R553ZY032	12		R500Y224	
R553ZY042	1" x 3/4"E		2	R500-2 Depth 85÷130 mm
R553ZY043		3	R500Y221	
R553ZY044		4	R500Y222	
R553ZY045		5	R500Y222	
R553ZY046		6	R500Y222	
R553ZY047		7	R500Y222	
R553ZY048		8	R500Y223	
R553ZY049		9	R500Y223	
R553ZY050		10	R500Y223	
R553ZY051		11	R500Y224	
R553ZY052		12	R500Y224	

Product code	Manifold connections x outputs	N° of outputs	Flush-mounting cabinet *	
			Series	Product code
R553Y002	1" x base 18	2	R500 Depth 110 mm	R500Y101
R553Y003		3		R500Y101
R553Y004		4		R500Y102
R553Y005		5		R500Y102
R553Y006		6		R500Y102
R553Y007		7		R500Y102
R553Y008		8		R500Y103
R553Y009		9		R500Y103
R553Y010		10		R500Y103
R553Y011		11		R500Y104
R553Y012		12		R500Y104
R553Y024		1 1/4" x base 18		4
R553Y025	5		R500Y102	
R553Y026	6		R500Y102	
R553Y027	7		R500Y102	
R553Y028	8		R500Y103	
R553Y029	9		R500Y103	
R553Y030	10		R500Y103	
R553Y031	11		R500Y104	
R553Y032	12		R500Y104	



**\*Note.**

The cabinet is chosen keeping in consideration the size of the R554D intermediate fitting and R259D ball valve.

**Flush-mounting cabinets for manifolds**

Series	Product code	Cabinets dimensions [mm] (L x H x D)
R500-2	R500Y221	400 x 650÷740 x 85÷130
	R500Y222	600 x 650÷740 x 85÷130
	R500Y223	800 x 650÷740 x 85÷130
	R500Y224	1000 x 650÷740 x 85÷130
	R500Y225	1200 x 650÷740 x 85÷130
R500	R500Y101	400 x 460 x 110
	R500Y102	600 x 460 x 110
	R500Y103	800 x 460 x 110
	R500Y104	1000 x 460 x 110

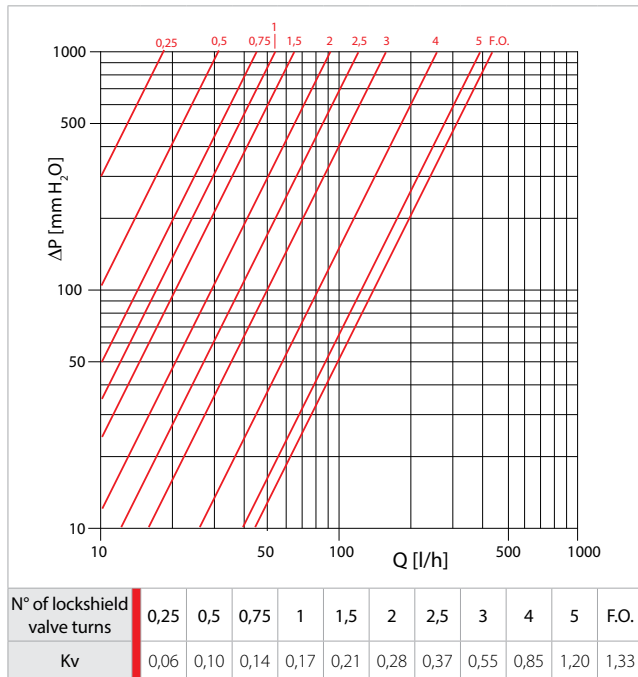
**Technical data**

- Temperature range: 5÷110 °C
- Max. working pressure: 10 bar
- Outputs centre distance: 50 mm

**Materials**

- Manifold: CW617N brass
- Gaskets: EPDM
- Brackets: galvanized steel

**Losses of pressure of single circuit**



**Components**

**Manifold**

- The delivery manifold consists of a drawn brass bar in a special alloy, containing a balancing lockshield valve with mechanical memory for each circuit so that the calibration position in each one can be identified and maintained, even in the case of total interception. The mechanical memory takes the form of a specific ring which, when regulated with the R558 spanner, limits the maximum opening of the lockshield valve to the value selected during the balancing phase. To make the correct adjustment, fully open the metal ring using the screwdriver part of the R558 spanner, then close the lockshield valve fully down using the hexagonal part of the spanner. Open the valve by the number of rotations determined via the calibration diagrams, then tighten the memory ring as far as it will go on the valve.
- The return manifold is equipped with interception valves with a manual handwheel, suitable for electro-thermal command via the electro-thermal actuators R478, R478M (normally open) and R473, R473M (normally closed). The actuators are assembled by releasing the handwheel on the manifolds and thereby freeing the valve connection.

**Metallic brackets**

Metallic brackets, for use in metal cabinets R500-2 or R500 series (depending on the manifolds codes).

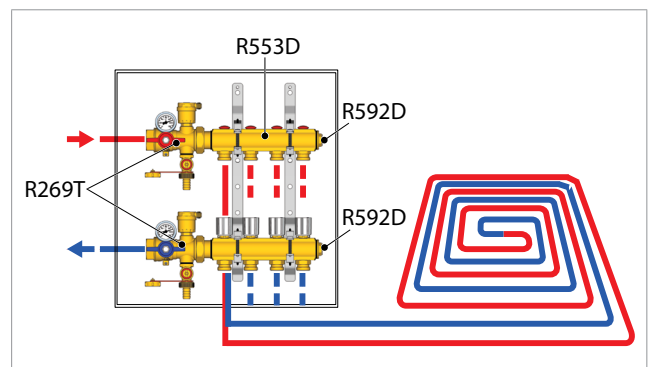
**Adjustment key and adhesive labels**

The kit is completed with a set of adhesive labels for the detection of the various circuits and an adjusting key for adjusting the holders.

**Installation**

- 1) Install any ball valves and intermediate groups at the entrance of the manifold and the terminal groups or taps at the end of the manifold.
- 2) Install the manifold with the metal brackets inside the cabinet.
- 3) Connect the main pipes coming from the boiler room to the manifold connections and the pipes of the system to the manifold outputs. For the connection use adaptors base 18 (R178, R179 or R179AM series) or Eurocone (R178E, R179E series).
- 4) Install and electrically connecting any electrical actuators in place of the handwheels on the return manifold.

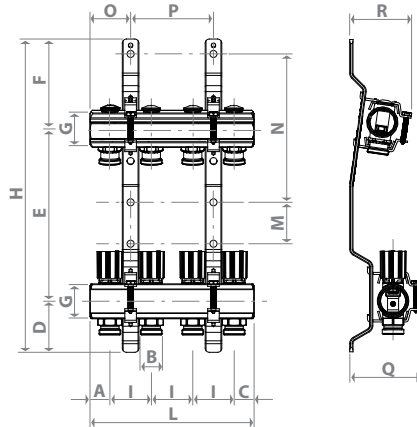
**Example of application scheme with radiant floor system**





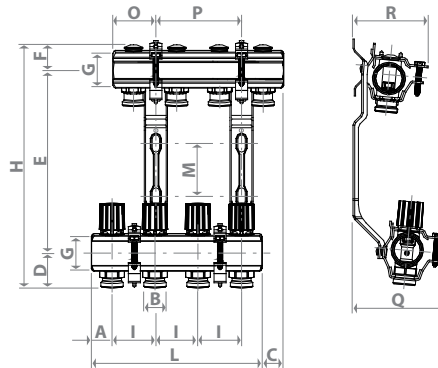
**Dimensions**

R553D for R500-2 cabinets with 85 ÷ 130 mm depth



Product code	N° of outputs	G x B	A [mm]	C [mm]	D [mm]	E [mm]	F [mm]	H [mm]	I [mm]	L [mm]	M [mm]	N [mm]	O [mm]	P [mm]	Q [mm]	R [mm]
R553ZY002	2	1" x base 18	24	24	62	208	108	378	50	98	50	179	49	-	86	81
R553ZY003	3									148				50		
R553ZY004	4									198				100		
R553ZY005	5									248				150		
R553ZY006	6									298				200		
R553ZY007	7									348				250		
R553ZY008	8									398				300		
R553ZY009	9									448				350		
R553ZY010	10									498				400		
R553ZY011	11									548				450		
R553ZY012	12									598				500		
R553ZY022	2									1 1/4" x base 18				24		
R553ZY023	3	148	50													
R553ZY024	4	198	100													
R553ZY025	5	248	150													
R553ZY026	6	298	200													
R553ZY027	7	348	250													
R553ZY028	8	398	300													
R553ZY029	9	448	350													
R553ZY030	10	498	400													
R553ZY031	11	548	450													
R553ZY032	12	598	500													
R553ZY042	2	1" x 3/4"E	24	24	62	208	108	378	50		98	50	179		49	-
R553ZY043	3									148	50					
R553ZY044	4									198	100					
R553ZY045	5									248	150					
R553ZY046	6									298	200					
R553ZY047	7									348	250					
R553ZY048	8									398	300					
R553ZY049	9									448	350					
R553ZY050	10									498	400					
R553ZY051	11									548	450					
R553ZY052	12									598	500					

**R553D for R500 cabinets with 110 mm depth**



Product code	N° of outputs	G x B	A [mm]	C [mm]	D [mm]	E [mm]	F [mm]	H [mm]	I [mm]	L [mm]	M [mm]	O [mm]	P [mm]	Q [mm]	R [mm]
R553Y002	2	1" x base 18	24	25	41	213	43	297	50	98	50±73	49	-	106	84
R553Y003	3									148			-		
R553Y004	4									198			100		
R553Y005	5									248			150		
R553Y006	6									298			200		
R553Y007	7									348			250		
R553Y008	8									395			300		
R553Y009	9									448			350		
R553Y010	10									498			400		
R553Y011	11									548			450		
R553Y012	12									598			500		
R553Y024	4									1 1/4" x base 18			24		
R553Y025	5	248	150												
R553Y026	6	298	200												
R553Y027	7	348	250												
R553Y028	8	395	300												
R553Y029	9	448	350												
R553Y030	10	498	400												
R553Y031	11	548	450												
R553Y032	12	598	500												

**Product specifications**

**R553D**

Preassembled brass manifold for conditioning systems with flow meters. Centre distance between the outflow points 50 mm. Temperature range 5÷110 °C. Max. working pressure 10 bar. Consisting of: 1 delivery manifold with front balancing lockshield valves equipped with mechanical memory. 1 return manifold with interception valves with manual handwheel, suitable for thermo-electric command. EPDM gaskets. Metal brackets. Set of adhesive labels for identifying the various circuits. 1 adjustment key R558. Available with connection for base 18 or Eurocone adaptors.

**Additional information**

For additional information please check the website [www.giacomini.com](http://www.giacomini.com) or contact the technical service: ☎ +39 0322 923372 📠 +39 0322 923255 ✉ [consulenza.prodotti@giacomini.com](mailto:consulenza.prodotti@giacomini.com)  
 This pamphlet is merely for information purposes. Giacomini S.p.A. retains the right to make modifications for technical or commercial reasons, without prior notice, to the items described in this pamphlet. The information described in this technical pamphlet does not exempt the user from following carefully the existing regulations and norms on good workmanship.  
 Giacomini S.p.A. Via per Alzo, 39 - 28017 San Maurizio d'Opaglio (NO) Italy